

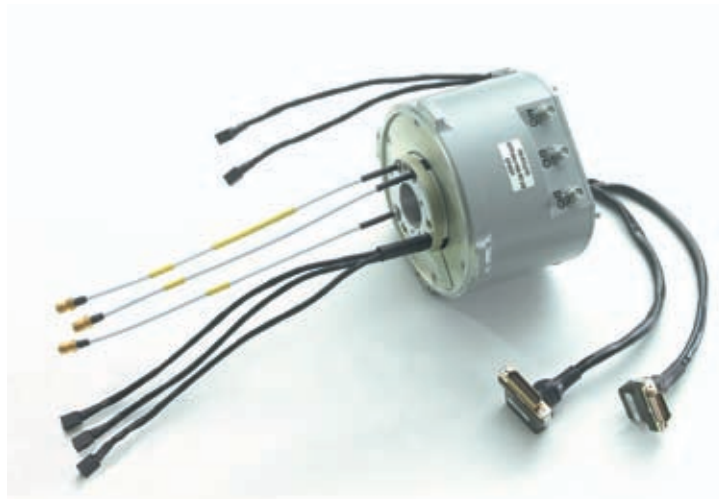
CUSTOM MICRO-D SOLUTIONS

CUSTOM DESIGN CONNECTORS

- Custom design connectors 206
- Materials & finishes 207
- 69 and 74 way Micro-D connectors 208
- Surface mount connectors 210
- Custom designed shells and hardware 211
- EMI & panel mount connectors 212
- Filtered Micro-D connectors 214
- Termination with flex circuits 226
- Waterproof & hermetic connectors 227
- High-density connectors 230
- Non magnetic Micro-D interconnect solutions 240

FROM CUSTOM DESIGN ASSEMBLIES TO MINI-SYSTEMS

- From assemblies to mini systems 242
- Our harnessing capabilities 243
- Technical solutions for assemblies 244
- Overmoulding expertise 245
- SILFORM® cables & assemblies 247
- Mini-systems : complete solutions 248



CUSTOM DESIGN CONNECTORS

In addition to the standard range of Micro-D connectors and assemblies, AXON' can develop custom designed solutions, all based on Micro-D twist-pin contact technology. AXON' is the sole manufacturer in Europe to have fully integrated in-house the design and the manufacture of the Micro-D system, including :

- Twist pins, shells, inserts and interfacial seals.
- Custom designed conductors, wires and cables.
- Complex assembly processes including optimised EMC shielding, branch braiding and overmoulding.

This high level of vertical integration enables AXON' to offer complete solutions which meet the demanding requirements of the aeronautics, space, military, industrial and off-shore markets.

► Common applications

► MIL-AERO

- Missiles and counter measures.
- Electro-optics.
- Navigation systems.
- Avionics equipment.
- Radar systems.
- Twist capsules.
- Shoulder launched weapon systems.
- Advanced soldier technology systems.
- Military GPS systems.

► NON MILITARY

- Down-hole drilling tools.
- Automotive test equipment.
- Medical devices.
- Ruggedised computers.
- Research centres.

► SPACE

- Satellite electronics.
- Space station and planetary explorer applications.

MATERIALS & FINISHES

AXON' can offer micro-D solutions with standard and special shell materials and finishes. The table below illustrates some of the more common options, however other materials and finishes may be possible on request :



▲ SALT SPRAY TEST EQUIPMENT

MATERIAL	IN ACCORDANCE WITH	DENSITY (g/cm ³)	FINISH	SALT SPRAY RESISTANCE (IN ACCORDANCE WITH EIA-364-26)	TEMPERATURE RANGE	MISCELLANEOUS
ALUMINIUM 6061	SAE AMS-QQ-A-250/11	2.7	<u>STANDARD MIL-DTL-83513 FINISHES</u>			
			- CADMIUM WITH YELLOW CHROMATE OVER ELECTROLESS NICKEL	96 HOURS	150°C	MILITARY APPLICATIONS
			- ELECTROLESS NICKEL	48 HOURS	200°C	MOST COMMON PLATING
			<u>SPECIAL FINISHES</u>			
			- CADMIUM WITH YELLOW CHROMATE OVER ELECTROLESS NICKEL	500 HOURS	150°C	MILITARY APPLICATIONS
			- HEAVY ELECTROLESS NICKEL	500 HOURS	200°C	MILITARY & SPACE APPLICATIONS
			- BLACK ANODISATION (IN ACCORDANCE WITH MIL-A-8625 TYPE II CLASS 2)	48 HOURS	150°C	NON-REFLECTIVE / POOR CONDUCTIVITY
- CHEMICAL FILM IN ACCORDANCE WITH MIL-C-5541 CLASS 3	48 HOURS	150°C	NON MAGNETIC APPLICATIONS			
- GOLD PLATING IN ACCORDANCE WITH ASTM-B-488 OVER ELECTROLESS NICKEL	48 HOURS	150°C	SPACE GRADE APPLICATIONS			
STAINLESS STEEL SERIES 300	-	7.8	PASSIVATION IN ACCORDANCE WITH SAE AMS-27000	1000 HOURS	200°C	EXCELLENT CORROSION RESISTANCE
TITANIUM	-	4.5	NONE	500 HOURS	200°C	ALL ROUND PERFORMANCE WEIGHT, CORROSION, EMC
KOVAR (Fe/Ni/Co ALLOY)	-	8.4	ELECTROLYTIC NICKEL	48 HOURS	200°C	HERMETIC APPLICATIONS

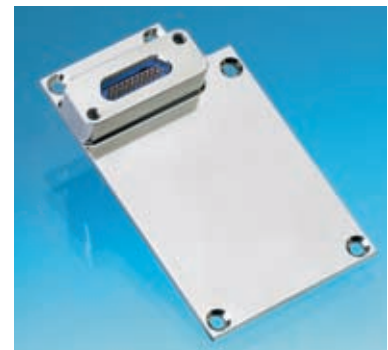
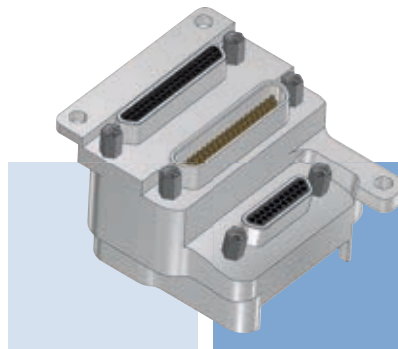
CUSTOM DESIGNED SHELLS & HARDWARE

Your system or application may be highly specialised in size, shape, performance or construction, and for this reason the standard Micro-D shell sizes may not be suitable.

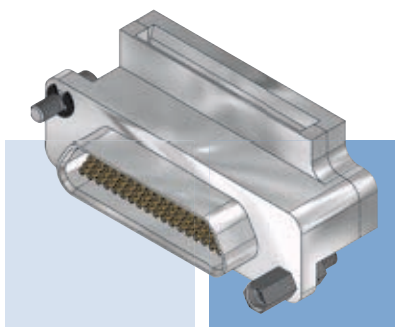
Meeting the challenge, AXON' can adapt existing shells or produce custom design Micro-D shells to meet your specific mechanical and environmental requirements. Design and manufacturing expertise on the same site makes it possible for AXON' to offer you a quick turnaround.

As we design and manufacture all the different component parts in-house, we can offer quick design solutions for small series and large volumes.

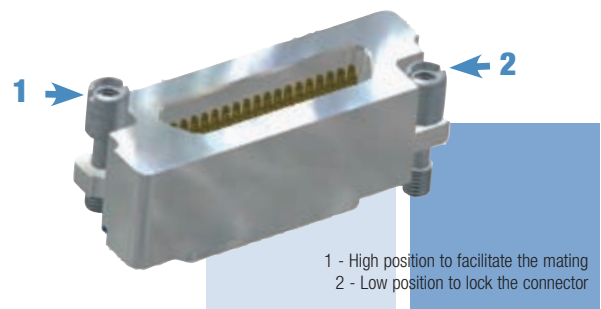
AXON' is also able to develop and manufacture special hardware, such as retractable or captive screws, threaded inserts, and other configurations as required.



▲ EXAMPLES OF MICRO D SHAPE FULLY INTEGRATED INTO AN ELECTRONIC BOX COVER TO ELIMINATE RF/EMI LEAKAGE IN COMPARISON TO A CLASSIC PANEL MOUNT CONNECTOR



▲ MICRO-D WITH SPECIAL INTEGRATED BACKSHELL FOR FLAT CABLE



1 - High position to facilitate the mating
2 - Low position to lock the connector

▲ CUSTOM MICRO-D DESIGN
51 WAY SAVER WITH CUSTOM RETRACTABLE SCREWS