

STANDARD MICRO-D CONNECTORS

RECTANGULAR CONNECTORS

- Pigtail connector - Metal shell 56
- Pigtail connector - Low profile - Metal shell 58
- Pigtail connector - Plastic shell 60
- Solder cup connector - Metal shell 62
- Solder cup connector - Low profile - Metal shell 64
- Solder cup connector - Plastic shell 66

PCB RECTANGULAR CONNECTORS

- PCB connectors overview 68
- CBR (Condensed Board Right Angle) type - 0.100" pitch
Metal shell 70
- CBR (Condensed Board Right Angle) type - 0.100" pitch
Plastic shell 72
PCB layout for CBR type 74
- CBP (Condensed Board Right Angle) type - 0.100" pitch
Low profile - Metal shell 76
- CBP (Condensed Board Right Angle) type - 0.100" pitch
Low profile - Plastic shell 78
PCB layout for CBP type 80
- BR (Board Right Angle) type - 0.100" pitch - Metal shell 82
PCB layout for BR type 84
- BS (Board Straight) type - 0.100" pitch - Metal shell 86
- BS (Board Straight) type - 0.100" pitch - Plastic shell 88
PCB layout for BS type 90
- CBR (Condensed Board Right Angle) type - 0.075" pitch
Metal shell 92
PCB layout for CBR 0.075" type 94
- BS (Board Straight) type - 0.075" pitch - Metal shell 96
- BS (Board Straight) type - 0.075" pitch - Plastic shell 98
PCB layout for BS 0.075" type - MIL standard layout 100
PCB layout for BS 0.075" type - Specific layout 102

CONNECTOR SAVERS

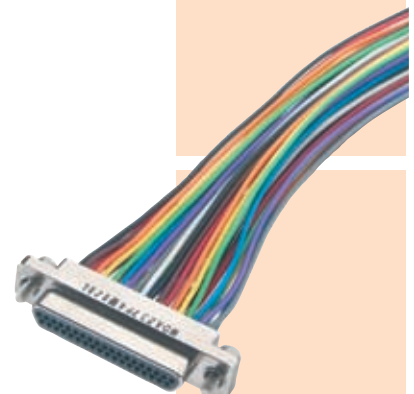
- One piece design - Metal or plastic shell 104
- One piece design - Low profile - Metal shell 105
- Back to back assembly - Metal or plastic shell 106
- Back to back assembly - Low profile - Metal shell 107

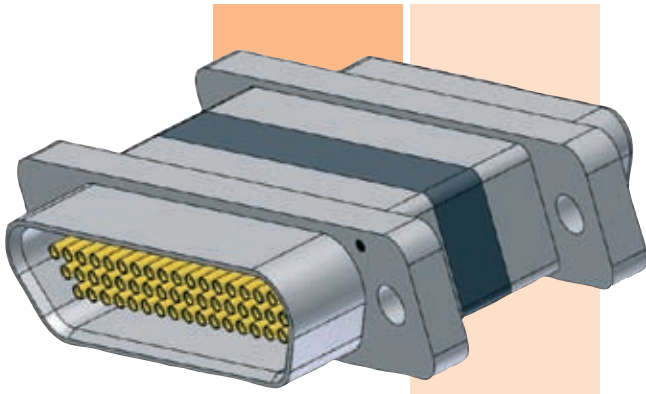
MICROSTRIP CONNECTORS

- Pigtail & solder cup assemblies 108
- PCB connector 110
- Microstrip general information 112
PCB layout for microstrip connector - 0.050" pitch 115

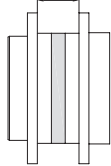
CIRCULAR CONNECTORS

- 118





L = 10 (.394)



CONNECTOR SAVERS

CONNECTOR SAVER ONE PIECE DESIGN

METAL OR PLASTIC SHELL

- One piece design version L = 10 mm (.394") between flanges.
- Ideal for applications requiring many mating / demating cycles.
 - Reduces wear and tear on systems and test equipment.
 - Operating temperature : 150°C or 200°C.

IDENTIFICATION CODE



SERIES

MDA : Micro-D AXON' standard series.

CONNECTOR TYPE

- P** : LCP shell + potting 150°C.
- L** : LCP shell + potting 200°C.
- 1** : Cadmium aluminium shell + potting 150°C.
- 2** : Nickel aluminium shell + potting 150°C.
- 3** : Nickel aluminium shell + potting 200°C.
- S** : Passivated stainless steel shell + potting 200°C.

NUMBER OF CONTACTS

09,15,21,25,31,37,51, 51DR, 100.
51DR & 100 way only available in metal shell.
 See pages 16&17 for contact arrangements.

PRODUCT TYPE

CS : Connector saver.
 (plug to receptacle connector).

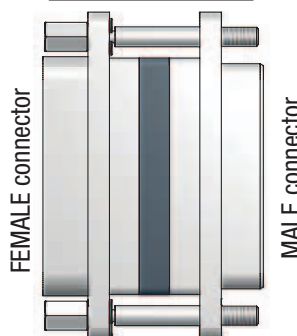
ONE PIECE DESIGN ASSEMBLY

1 : One piece design assembly.
 L= 10 mm (.394").

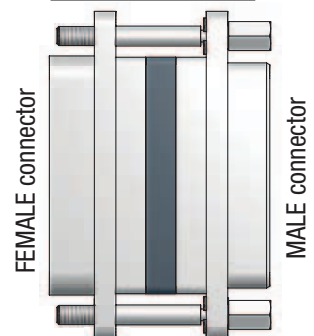
HARDWARE

- B** : No hardware.
- P1** : Removable long jackposts on the female connector.
- P2** : Removable long jackposts on the male connector.

HARDWARE P1 TYPE

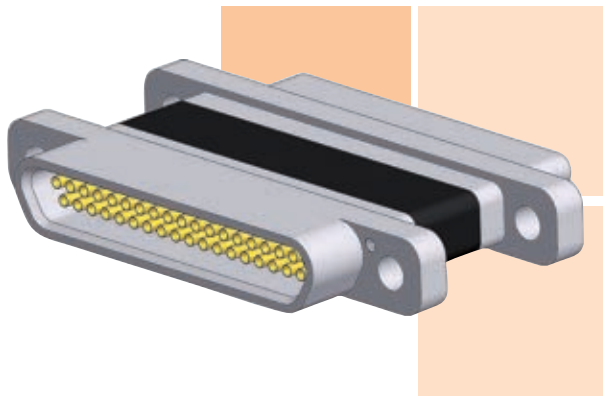


HARDWARE P2 TYPE

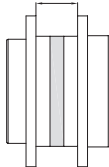


METAL CONNECTORS ARE SUPPLIED WITH ANTI-STATIC PROTECTIVE DUST CAPS

CONNECTOR SAVER ONE PIECE DESIGN



L = 10 (.394)



LOW PROFILE METAL SHELL

- One piece design version L = 10 mm (.394") between flanges.
- Ideal for applications requiring many mating / demating cycles.
 - Reduces wear and tear on systems and test equipment.
 - Operating temperature : 150°C or 200°C.

IDENTIFICATION CODE



SERIES

MDA : Micro-D AXON' standard series.

CONNECTOR TYPE

- 1** : Cadmium aluminium shell + potting 150°C.
- 2** : Nickel aluminium shell + potting 150°C.
- 3** : Nickel aluminium shell + potting 200°C.
- S** : Passivated stainless steel shell + potting 200°C.

NUMBER OF CONTACTS

L09, L15, L21, L25, L31, L37, L51
See pages 16 & 17 for contact arrangements.

PRODUCT TYPE

CS : Connector saver.
(plug to receptacle connector).

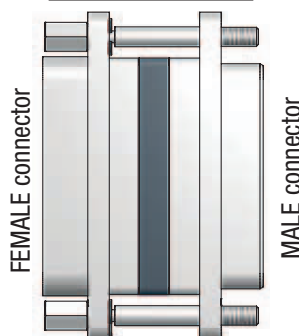
ONE PIECE DESIGN ASSEMBLY

1 : One piece design assembly.
L = 10 mm (.394").

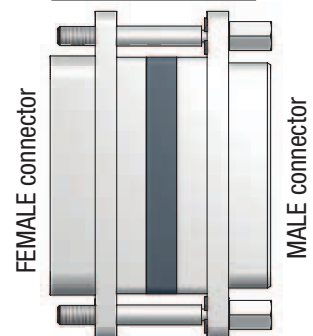
HARDWARE

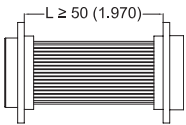
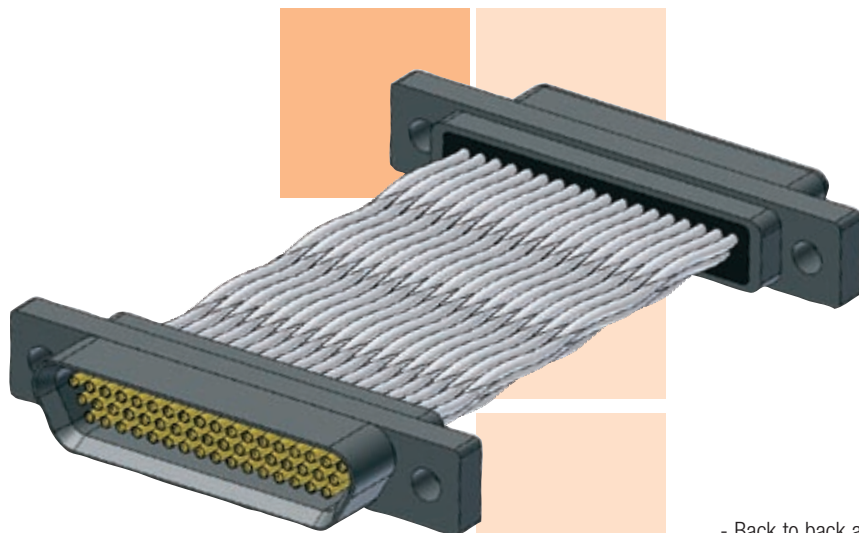
- B** : No hardware
- P1** : Removable long jackposts on the female connector.
- P2** : Removable long jackposts on the male connector.

HARDWARE P1 TYPE



HARDWARE P2 TYPE





CONNECTOR SAVERS

CONNECTOR SAVER

BACK TO BACK ASSEMBLY

METAL OR PLASTIC SHELL

- Back to back assembly version ($L \geq 50$ mm / 1.970") between flanges
- Ideal for applications requiring many mating / demating cycles.
- Reduces wear and tear on systems and test equipment.
- Operating temperature : 150°C or 200°C.

IDENTIFICATION CODE

MDA

P

51

CS

10

1

L

B

B

SERIES

MDA : Micro-D AXON' standard series.

CONNECTOR TYPE

P : LCP shell + Potting 150°C.
L : LCP shell + Potting 200°C.
S : Passivated stainless steel shell + Potting 200°C

1 : Cadmium aluminium shell + Potting 150°C
2 : Nickel aluminium shell + Potting 150°C.
3 : Nickel aluminium shell + Potting 200°C.

NUMBER OF CONTACTS

09,15,21,25,31,37,51, 51DR, 100 - **51DR & 100 way only available in metal shell.**
 See pages 16&17 for contact arrangements.

PRODUCT TYPE

CS : Connector saver (receptacle to plug connector).
DP : Dual Pin connector (plug to plug connector).
DS : Dual Socket connector (receptacle to receptacle connector).

BACK TO BACK ASSEMBLY - LENGTH (L in cm)

Attention ! Wire length in centimetres (1cm = 10 mm = .394")

L	$5 \leq L \leq 10$	$10 < L \leq 100$	$L > 100$
in cm (inches)	$1.97 \leq L \leq 3.940$	$3.940 < L \leq 39.40$	$L > 39.40$
TOLERANCE	-0 / +0.5	-0 / +3	-0 / +5
in cm (inches)	-0 / +0.200	-0 / +1.180	-0 / +1.970

WIRE TYPE

1 : E2607, AWG 26, 7 strands - 600 V
4 : E2619, AWG 26, 19 strands - 600 V
6 : E2807, AWG 28, 7 strands - 600 V
8 : E3007, AWG 30, 7 strands - 600 V

A : E2407, AWG24, 7 strands - 600 V.
C : E 2419, AWG 24, 19 strands - 600 V.
E : M22759/33, AWG26, 19 strands, 600 V.

See page 19 for wire types

COLOUR CODE

F : All yellow - **L** : all white.

1st CONNECTOR HARDWARE

(for CS 1st connector is the female one).

B : No hardware.
C : U-clips with low profile hex.skt head jackscrew (removable).
D : U-clips with low profile slot head jackscrew (removable).
M : low profile hex.skt head jackscrews (removable).
N : high profile hex.skt head jackscrews (removable).
P : Jackposts (removable).
S : low profile slot head jackscrews(removable).
T : high profile slot head jackscrews(removable).

2nd CONNECTOR HARDWARE

(for CS 2nd connector is the male one).

B : No hardware.
C : U-clips with low profile hex.skt head jackscrew (removable).
D : U-clips with low profile slot head jackscrew (removable).
M : low profile hex skt head jackscrews (removable).
N : high profile hex skt head jackscrews (removable).
P : Jackposts (removable).
S : low profile slot head jackscrews(removable).
T : high profile slot head jackscrews(removable).

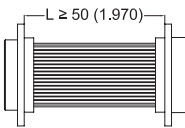
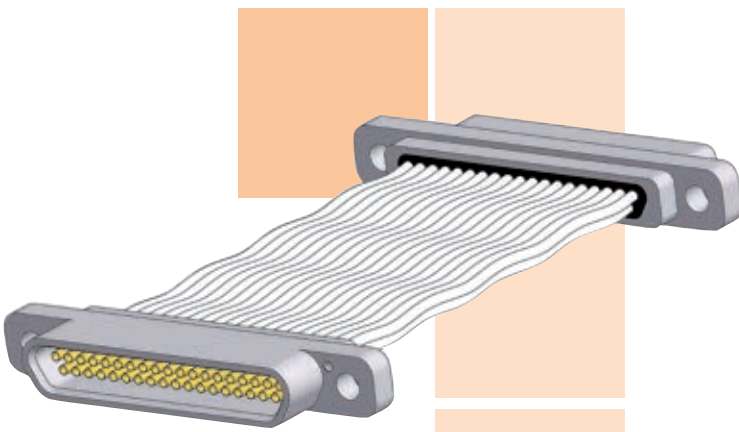
Other hardware available on request

METAL CONNECTORS ARE SUPPLIED WITH ANTI-STATIC PROTECTIVE DUST CAPS

CONNECTOR SAVER BACK TO BACK ASSEMBLY

LOW PROFILE METAL SHELL

- Back to back assembly version ($L \geq 50$ mm / 1.970") between flanges.
- Ideal for applications requiring many mating / demating cycles.
- Reduces wear and tear on systems and test equipment.
- Operating temperature : 150°C or 200°C.



IDENTIFICATION CODE



SERIES

MDA : Micro-D AXON' standard series.

CONNECTOR TYPE

- 1** : Cadmium aluminium shell + potting 150°C.
- 2** : Nickel aluminium shell + potting 150°C.
- 3** : Nickel aluminium shell + potting 200°C.
- S** : Passivated stainless steel shell + potting 200°C.

NUMBER OF CONTACTS

L09, L15, L21, L25, L31, L37, L51

See pages 16&17 for contact arrangements.

PRODUCT TYPE

- CS** : Connector Saver (receptacle to plug connector).
- DP** : Dual Pin connector (plug to plug connector).
- DS** : Dual Socket connector (receptacle to receptacle connector).

BACK TO BACK ASSEMBLY - LENGTH (L in cm)

Attention ! Wire length in centimetres (1cm = 10mm = .394")

L	$5 \leq L \leq 10$	$10 < L \leq 100$	$L > 100$
in cm (inches)	$1.97 \leq L \leq 3.940$	$3.940 < L \leq 39.40$	$L > 39.40$
TOLERANCE	-0 / +0.5	-0 / +3	-0 / +5
in cm (inches)	-0 / +0.200	-0 / +1.180	-0 / +1.970

WIRE TYPE

- 1** : E 2607, AWG 26, 7 strands, 600V.
- 4** : E 2619, AWG 26, 19 strands, 600V.
- 6** : E 2807, AWG 28, 7 strands, 600V.
- 8** : E 3007, AWG 30, 7 strands, 600V.
- A** : E 2407, AWG 24, 7 strands, 600V.
- C** : E 2419, AWG 24, 19 strands, 600V.
- E** : M22759/33, AWG 26, 19 strands, 600V.

See page 19 for wire types

COLOUR CODE

F : All yellow. - **L** : All white.

1st CONNECTOR HARDWARE

(For CS 1st connector is the female one).

- B** : No hardware.
- C** : U-clips with low profile hex skt head jackscrews (removable).
- D** : U-clips with low profile slot head jackscrews (removable).
- M** : Low profile hex skt head jackscrews (removable).
- N** : High profile hex skt head jackscrews (removable).
- P** : Jackposts (removable).
- S** : Low profile slot head jackscrews (removable).
- T** : High profile slot head jackscrews (removable).

2nd CONNECTOR HARDWARE

(For CS 1st connector is the female one).

- B** : No hardware.
- C** : U-clips with low profile hex skt head jackscrews (removable).
- D** : U-clips with low profile slot head jackscrews (removable).
- M** : Low profile hex skt head jackscrews (removable).
- N** : High profile hex skt head jackscrews (removable).
- P** : Jackposts (removable).
- S** : Low profile slot head jackscrews (removable).
- T** : High profile slot head jackscrews (removable).

Other hardware available on request

METAL CONNECTORS ARE SUPPLIED WITH ANTI-STATIC PROTECTIVE DUST CAPS

